

DURAVAC

NOTHING IS TOUGHER

RK VH0115 | WET & DRY VACUUM CLEANER USER MANUAL



DEAR CUSTOMER



THE CE MARK "EUROPEAN COMPLIANCE" MEANS THAT THE PRODUCT IS IN ACCORDANCE WITH THE ESSENTIAL REQUIREMENTS PROVIDED BY THE LAW, CONCERNING SAFETY AND PUBLIC HEALTH MEASURES, PROTECTION OF THE CONSUMER, ETC.



WARNING: THESE SYMBOLS WILL BE USED TO REMIND THE OPERATOR TO PAY ATTENTION TO OPERATIONS THAT MAY CAUSE LESIONS, INCLUDING DEATH, TO THE OPERATOR OR TO OTHER PEOPLE OR ANIMALS NEARBY. FURTHERMORE, THE OPERATIONS INDICATED BY THESE SYMBOLS MAY CAUSE DAMAGES, EVEN IRREPARABLE ONES, TO THE SUCTION DEVICE.



ATTENTION: PLEASE READ CAREFULLY THE INSTRUCTION MANUAL BEFORE USING IT. IT IS RECOMMENDED TO KEEP THIS MANUAL FOR FUTURE REFERENCES.



DO NOT DISPOSE OF POWER TOOLS INTO HOUSEHOLD WASTE! ACCORDING TO THE EUROPEAN DIRECTIVE 2012/19/EU ON WASTE ELECTRICAL AND ELECTRONIC EQUIPMENT (WEEE) AND ITS INCORPORATION INTO NATIONAL LAW, POWER TOOLS THAT ARE NO LONGER SUITABLE FOR USE MUST BE SEPARATELY COLLECTED AND SENT FOR RECOVERY IN AN ENVIRONMENTAL-FRIENDLY MANNER.

1. INTRODUCTION

This manual describes your vacuum cleaner features

It is owner's responsibility to make sure that the vacuum cleaner is used by people informed about this handbook of instructions.

It is not permitted to the owner modify, use or tampering with the vacuum cleaner for purposes different from those described in this handbook, otherwise the warranty, is no longer effective and exempt the manufacturer from every responsibility for possible damages to people or things.

In case of loss or damage of the handbook, please contact the manufacturing company.

In case of sale of the vacuum cleaner please attach the present handbook of instructions to the machine or inform the buyer about the manufacturing company.

The vacuum cleaner is fully tested before the delivery, in order to ensure the good performances of the appliance. This is done according to strict internal procedures and with modern yearly certified electrical tests.

INTENDED USE

Appliance designed to pick up dust and liquids.

Solid, powerful and easy to use, it is also equipped with efficient tools, for a rapid and complete cleaning

This vacuum cleaner is suitable for collective use: for example in hotels, schools, factories, shops, etc.

INSTRUCTIONS THAT MUST BE STRICTLY FOLLOWED - SAFE USE

Read carefully the manual before use, in order to work in a safe environment.



Warning: Before using the appliance, the device must be correctly assembled. Check that all the equipped filtering elements are in place and efficient.

- This appliance must be kept out of the reach of children, of people with reduced physical sensory or mental abilities or lacking experience and knowledge.
- **CAUTION:** Children must be kept under control, do not allow children to use the appliance as a toy.
- **WARNING:** Users must be properly trained to use the machine.
- **CAUTION:** Components used in packaging (ex: plastic bags) can be dangerous; keep away from children, animals and people not aware of their actions.
- To correctly dispose of the packaging follow the local standards in force.
- Make sure that the voltage of electrical mains is the same as that indicated on the rating plate of the vacuum cleaner. Verify that the socket is compatible with the plug. Power cable must always be unrolled before using the appliance. Do not use the cable coiled.
- Do not handle/use plug or appliance with wet hands.
- Do not pick up anything that can damage the filtering elements (such as glass, metal etc.).

- Do not use the electrical cord to move or lift the machine.
- Never immersed the machine in water and never use a pressure jet of water to clean the machine.
- Do not use this appliance beyond 2000 m (6560 ft) above sea level.
- WARNING: This machine is not suitable for picking up dangerous dust.
- CAUTION: Don't pick up flammable, incandescent, explosive or toxic dust/blends. Maximum temperature allowed is 40°C (104°F).



Warning: Any application not described in this manual is potentially dangerous, therefore it must be avoided.



Warning: Do not leave the unsupervised a working machine. Always un- plug the machine if the appliance is not working. Keep away from children and from people not aware of their actions.

- WARNING: This appliance must be used, assembled, fixed and moved on a safe and not sloping plane.
- WARNING: This appliance must be stored, taking its weight into consideration, on a solid, steady, safe and not sloping plane, indoor and in a dry area.
- WARNING: Keep hands, feet, ears, loose clothing, hair and all parts of the body (human or animals) away from openings.
- WARNING: If the appliance is provided with a supplementary socket, do not use a tool exceeding the power reported on the socket. Non-observance of these rules could result in damages and injuries even lethal to the user.
- Do not allow the power cord to come into contact with the rotating brushes of the carpet cleaning head.
- Warning: Use only original spare parts. Using other accessories might compromise the operator's safety.
- Warning: This machine is not suitable for picking up dust in environments where electro-static discharges or spark can cause damages to electronic components and persons.



Warning: it is forbidden to tamper or modify the appliance. Failure to comply with these instructions could cause serious accidents and damages to the user, that can also lead to death. Tampering will void the warranty.



The manufacturer refuses all responsibility for damages or injuries due to improper use of the machine or in case of failure to failure to comply with the instructions given in this manual.



Always disconnect power cord from power source after operating and before servicing. After every use and before sending the- appliance to technical assistance, the vacuum cleaner must be disassembled, cleaned and overhauled to avoid hazard for the maintenance staff.

- Do routine maintenance. Inspect gaskets seals, plastic parts, filters, switches and replace those which have begun to leak or are damaged.
- Using a machine with a damaged power cord could result in an electrocution. Check the cord looking for cut, cracks or aging signs and replace it, if it's necessary.
- Only an authorized service centre can replace power cord of the appliance.
- If extension cords are used, ensure that the cable rating is suitable for use with the equipment. Keep dry at all times. Avoid contact with conductive surfaces.
- Don't let children clean the appliance if they are not under supervision of an adult.
- Only an authorized service centre can do reparation or maintenance of the appliance. Use only original spare parts.
- To keep the appliance fully functional it is necessary to clean polyester filter shaking it after every use and replace filtering bag if it's full.
- Clean every part of the appliance after each use: empty the tank, shake the filters, replace filtering bag if it's full and clean the machine with a damp cloth before storing the vacuum cleaner
- **WARNING:** in case of foam or liquid leak switch off the appliance immediately.
- **WARNING:** in case overturning, lift the appliance in the upright position before switching the motors off.



WARNING: The additional socket must be used only with the appliance in dry mode (while vacuuming dusts). Failure to comply with these rules can lead to fires and dangers even lethal to the user.

- Don't pick up water from sink or tub. Do not use cleaner as a pump to clean out clogged drains, sinks, or other plumbing fixtures. The vacuum cleaner is intended for vacuuming air and water mixtures.
- Do not use or pick up aggressive soaps, they could damage the appliance.



WARNING: The floater has the function to stop the vacuuming when the tank is full of liquids or in case of overturning; carry out cleaning routine checking that there are no damages and change it if it's necessary.

- **WARNING:** Do not use outdoors or in a cold environment.

NOISE

Values measured according to EN 60704-1 (1997) / EN 60704-2-1 (2001) ISO 3744 standards.

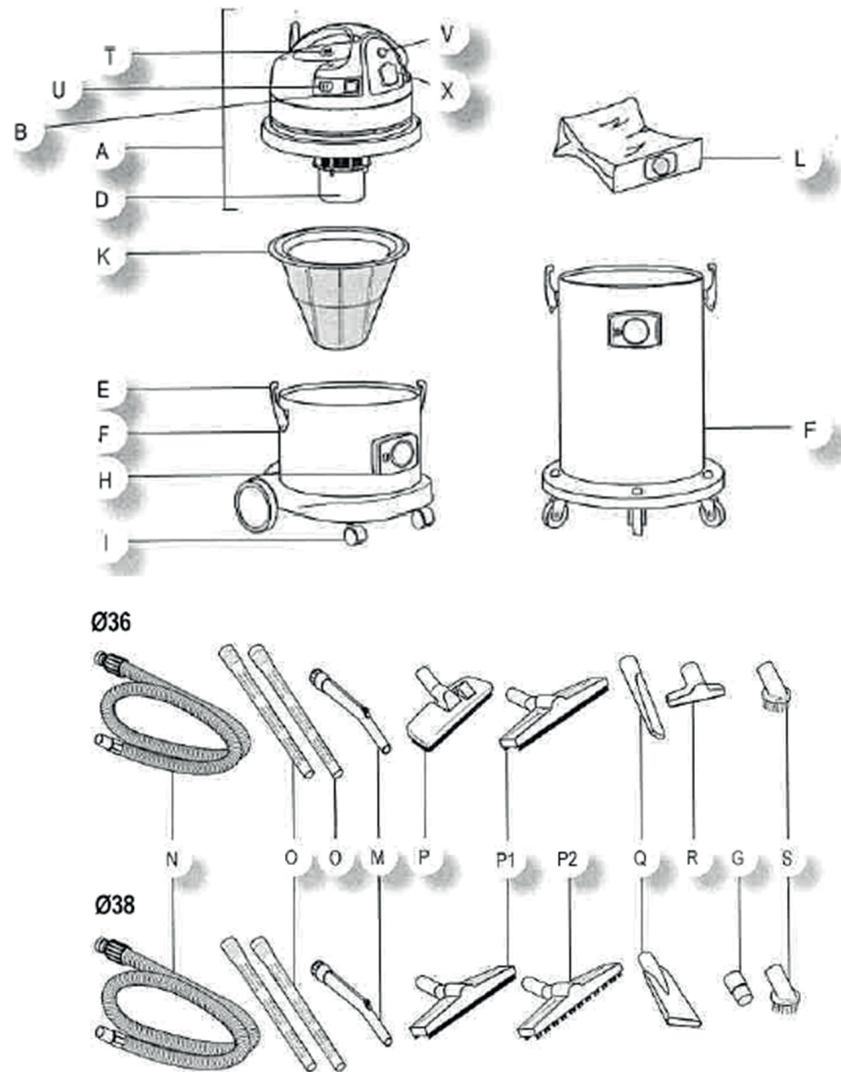
Motors	Lp _A [dB]	Kp _A [dB]	Lw _A [dB]	Kw _A [dB]
1	70 ÷ 76	2.5	-	-
2	74 ÷ 80 2.5		-	-
3*	78 ÷ 84 2.5		92 ÷ 98 2.5	

*Wear hearing protection.

VIBRATIONS

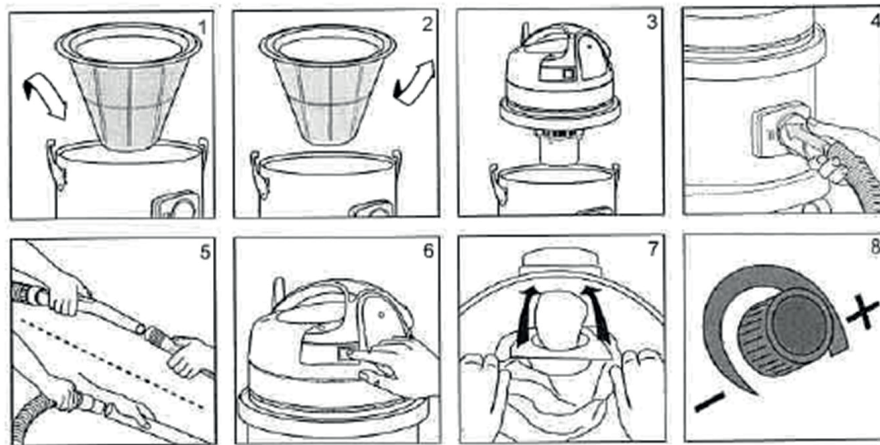
Hand-arm vibrations on the suction hose are less than 2.5 m/s² as recommended by ISO 5349-1
Under adverse network conditions, the appliance may cause temporary drops in voltage.

2. COMPONENT DESCRIPTION



- A - Motor head
- B - Switch
- D - Float valve: prevents the aspirated liquid from invading the motor head.
- E - Hooks
- F - Tank
- H - Inlet
- I - Castor wheels
- K - Main polyester filter. Use only for dry pick up (not for wet pick up).
- L - Filter bag to apply on top of deflector. This filter does not exclude the use of polyester filter, that still has to be used.
- M - Wand
- N - Flexible hose
- O - Hose
- P - Double use brush
- P1 - Squeegee brush
- P2 - Dust brush
- Q - Crevice nozzle
- R - Upholstery nozzle
- S - Round brush
- G - Adaptor
- T - Speed regulator (optional)
- U - Electric floorhead additional socket (optional)
- V - Warning light (optional)
- X - Electric tool additional socket (optional)

LIQUID/DUST PICK UP



DRY PICK UP

Insert main polyester filter into the tank (Fig. 1).

Mount the head on top of tank and lock it with hooks (Fig. 3). Push hose into hose inlet (Fig. 4).

Attach wand and desired tool to hose ends (Fig. 5).

If your vacuum is equipped with paper bag, slide paper bag over the deflector (Fig. 7). Plug power cord in to a properly grounded outlet and turn cleaner on (Fig. 6).

WET PICK UP

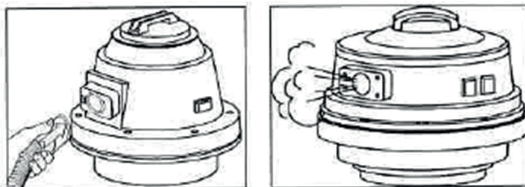
Remove main polyester filter from the tank (Fig. 2).

Mount the head on top of tank and lock it with hooks (Fig. 3). Push hose into hose inlet (Fig. 4).

Attach wand and hoses to hose end (Fig. 5). Attach squeegee brush – P1 - to the other end.

Plug power cord into a properly grounded outlet and turn cleaner on (Fig. 6).

BLOWER FEATURE



Push hose into blower port placed on the vacuum head. Turn the switch on.

IMPORTANT INFORMATIONS ABOUT OPTIONAL VERSIONS:

Appliance with floor head additional socket (optional)

The socket -U- it is designed to connect a floor head.



WARNING: Maximum power allowed is 200W.

Don't connect electrical floor brushes with a bigger load. This may result in a fire hazard or electric shock.

Appliance with electrical tool additional socket -X- (optional)

To connect electrical tool. Please see additional manual.



WARNING: If the appliance is provided with a supplementary socket, do not use a tool exceeding the power reported on the socket. Non-observance of these rules could result in damages and injuries even lethal to the user.

Appliance with speed regulator (optional)

With speed regulator -T- you can increase or lower vacuum suction power.

Warranty

Whilst every effort is made to ensure your complete satisfaction with this tool, occasionally, due to the mass manufacturing techniques, a tool may not live up to our required level of performance and you may need the assistance of our service department.

This product is warranted for 12 months use from the date of the original purchase. If found to be defective in materials or workmanship, the tool or the offending faulty component will be replaced free of charge with another of the same item. A small freight charge may apply. Proof of purchase is essential.

We reserve the right to reject any claim where the purchase cannot be verified. This warranty does not include damage or defects to the tool caused by or resulting from abuse, accidents, alterations or commercial or business use. It also does not cover any bonus items or included accessories. Only the generator is covered under this warranty.

Please ensure that you store your receipt in a safe place. Conditions apply to the above warranty.

1. DURATION:

The manufacturer warrants that it will repair or replace, at no charge for parts or labour, the DURAVAC RK VH0115, if proven defective in material or workmanship, during the following time period(s) after date of original retail purchase:

***For 12 months use - DURAVAC RK VH0115
(excluding accessories)***

2. WHO GIVES THIS WARRANTY (Warrantor):

EUROQUIP NZ
 Service Line:
 + + 64 3 547 8409

3. WHO RECEIVES THIS WARRANTY (Purchaser):

The original purchaser of this DURAVAC RK VH0115

4. WHAT IS COVERED UNDER THIS WARRANTY: Defects in material and workmanship which occur within the duration of the warranty period.

5. WHAT IS NOT COVERED UNDER THIS WARRANTY:

- A. Implied warranties, including those of merchantability and FITNESS for a particular purpose are limited in duration to this express warranty. After this period, all risks of loss, from whatever reason, shall be on the purchaser.
- B. ANY INCIDENTAL, INDIRECT, OR CONSEQUENTIAL LOSS, DAMAGE, OR EXPENSE THAT MAY RESULT FROM ANY DEFECT, FAILURE OR MALFUNCTION OF THIS PRODUCT.
- C. This warranty does not apply to any accessory or consumable items included with the product which are subject to wear from usage; the repair or replacement of these items shall be at the expense of the owner. These items include, but are not limited to: hose's, floor tools, filters, bags, etc. In addition, this warranty does not extend to any damage caused by the untimely replacement or maintenance of any of the previously listed CONSUMABLE parts.
- D. Any failure that results from accident, purchaser's abuse, neglect or failure to operate products in accordance with instructions provided in the owner's manual(s) supplied with the product.
- E. Pre-delivery service, i.e. assembly and adjustment.

6. RESPONSIBILITIES OF WARRANTOR UNDER THIS WARRANTY: Repair or replace, at Warrantor's option, products or components which have failed within duration of the warranty period.

7. RESPONSIBILITIES OF PURCHASER UNDER THIS WARRANTY:

- A. Please call your re-seller or the number listed above for warranty assistance.
- B. Provide dated proof of purchase and maintenance records.
- C. All vacuum must be delivered or shipped to the nearest Service Agent or re-seller. Freight costs, if any, must be borne by the purchaser.
- D. Use reasonable care in the operation and maintenance of the products as described in the owner's manual(s).
- E. No warranty costs incurred will be considered for, or covered if Euroquip has not been contacted and prior permission for repair / replacement has been granted.

8. WHEN WARRANTOR WILL PERFORM REPAIR OR REPLACEMENT UNDER THIS WARRANTY:

Repair or replacement will be scheduled and serviced according to the normal work flow at the servicing location and depending on the availability of replacement parts.



Congratulations on your new DURAVAC product. We are proud to have you as our customer and will strive to provide you with the best service and reliability in the industry. This product is backed by our extensive warranty. To locate your nearest distributor or service agency call **0800 387 678**, or email us at **customerservice@euroquip.co.nz**.